



CAL LIGHTING

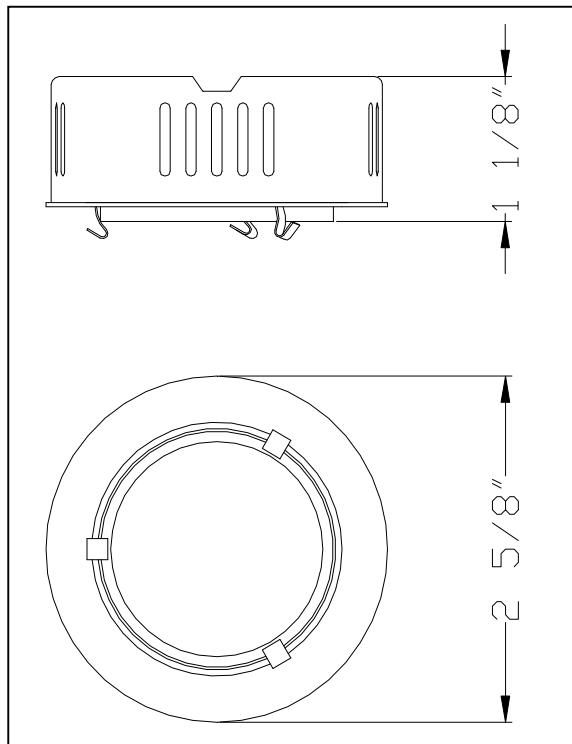
3625 E. Philadelphia St. Ontario CA. 91761 • Tel: 909.947.5200 • Fax:
909.947.5673 • www.calighting.com • service@calighting.com •
Specifications subject to change without notice

Type: _____

Project: _____

Catalog No.: _____

Lamp/Wattage: _____



Model No. : BO-603

Material : Steel

Bulb : G4

Socket : Bi-Pin

Voltage : 12V

Wattage : 20W Max.

Finish : BK (black), WH (white), CP, AB
PB, BS, RU

Canopy :

Certificate :